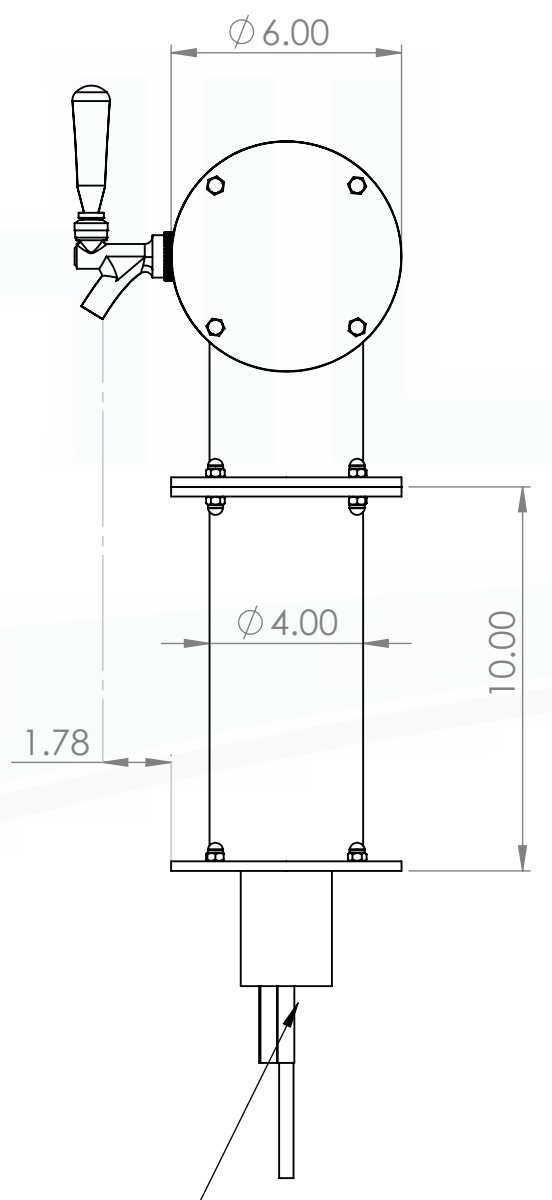
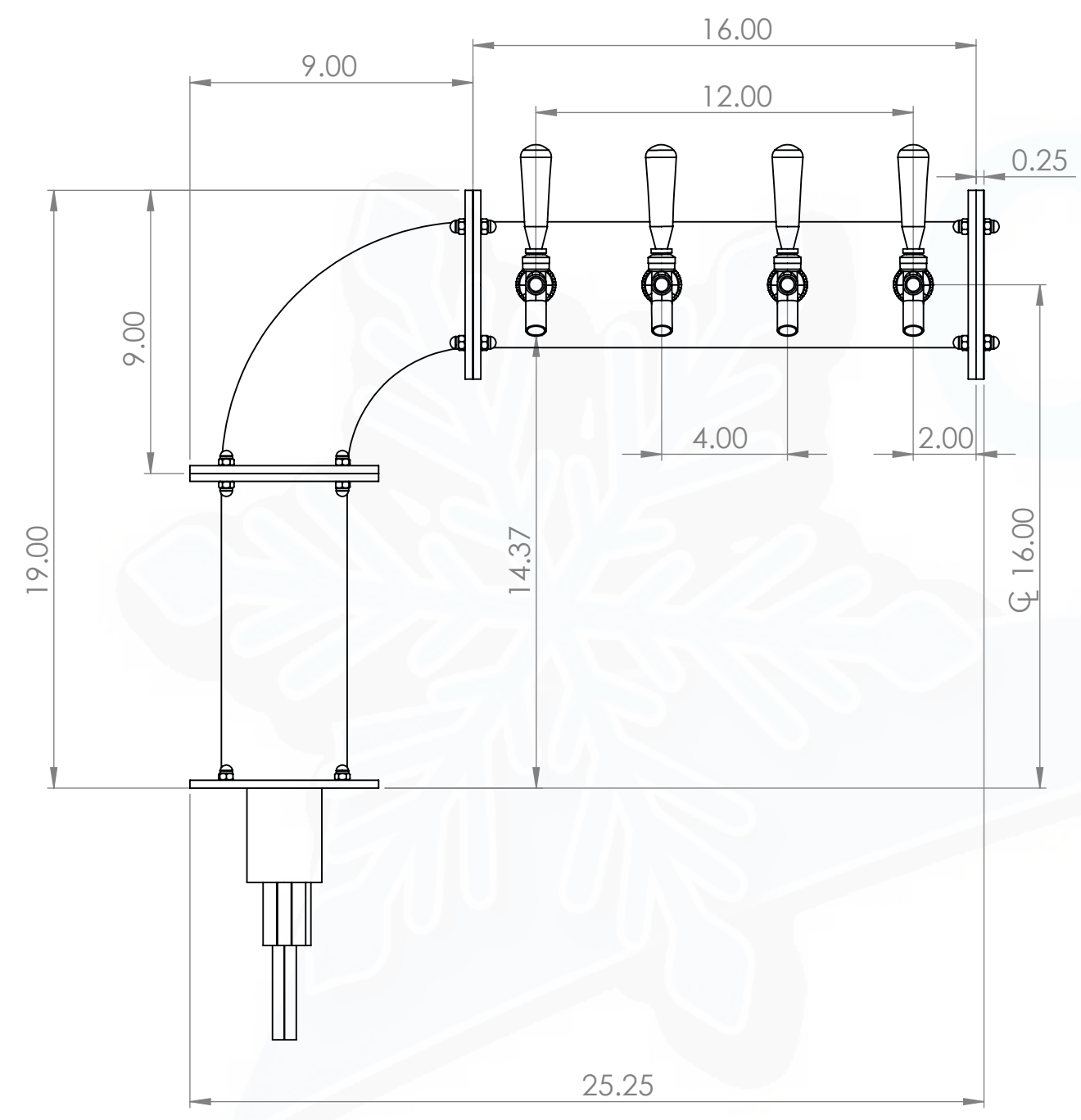
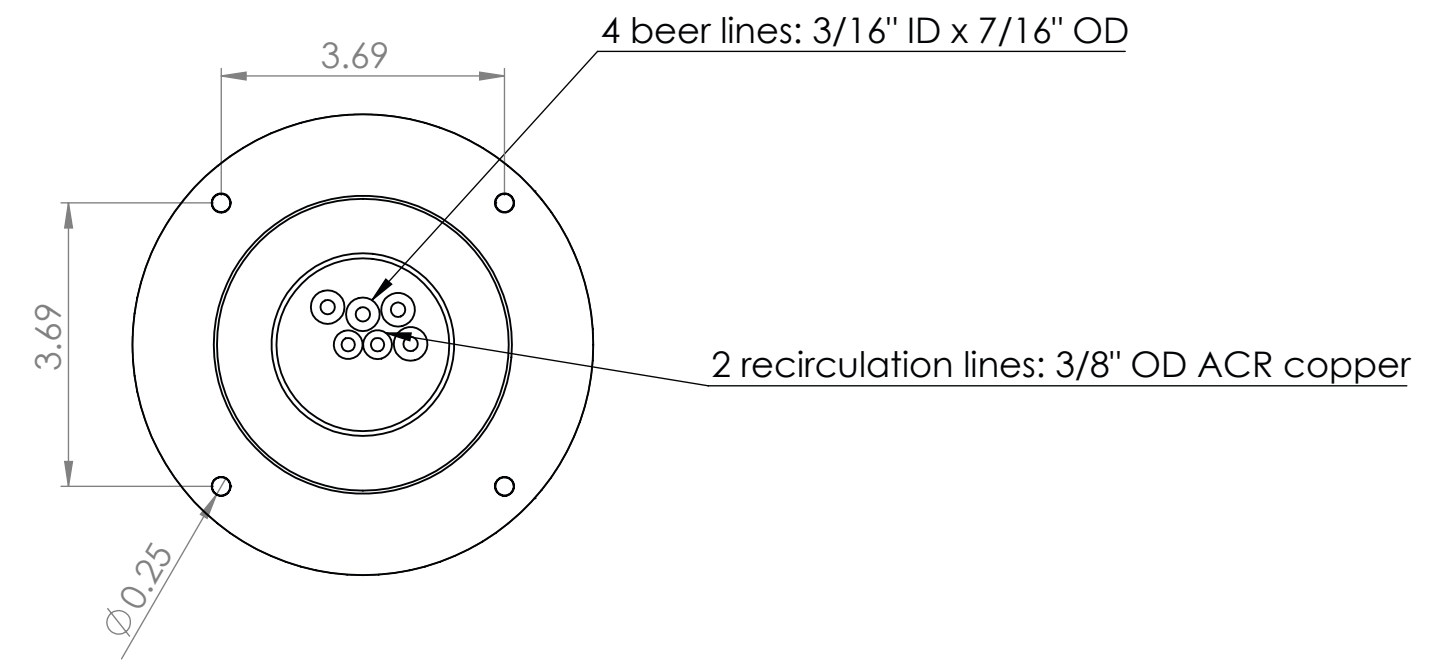


Isometric View  
(For reference purpose only)

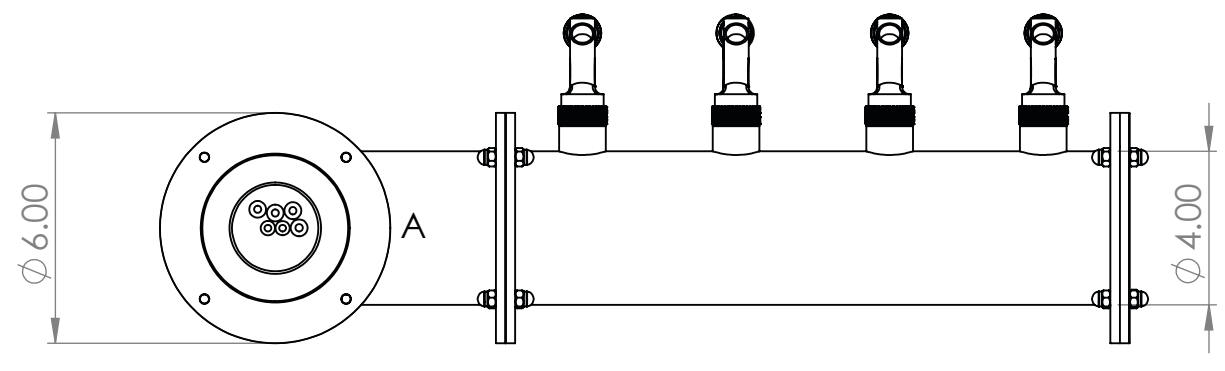


DETAIL A  
SCALE 2 : 5



304SS tube connected to CBS NSF Flexible Total Barrier Tubing to 15lbs of Restriction

Suggested Drip Tray:  
BB701316 - 16" x 7" BSS Drip Tray  
BB702416 - 16" x 7" BSS Spray Drip Tray



Name		Date		Title:	
Drawn By:	Chillmax Beverages Solutions, LLC	11/15/2024		4T(4"OC) CANDY COPPER LINX L7 CH-MX CLD	
Approved By:	Production Manager		Material:		Revision:
304 SS		Finish:		CANDY COPPER	Part Number: BB102615-CC-04GC
Unless otherwise mentioned, dimensions are inches.					Scale: 1:5